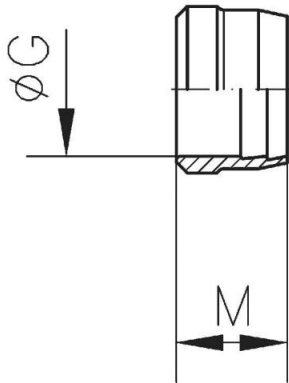


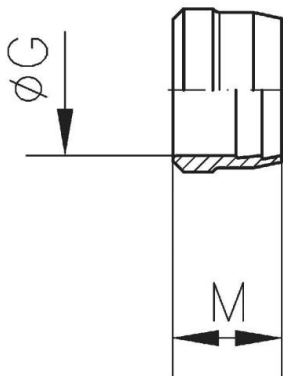
Material galvanised steel (DIN 2353)



SR10SLST

### Ferrule, very light type

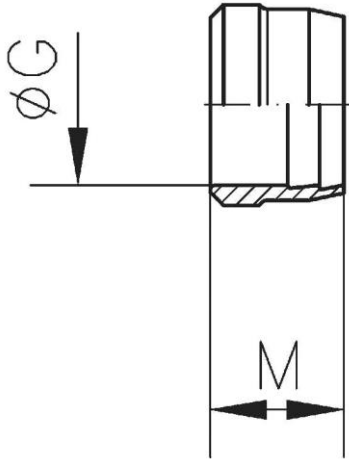
| Art. No. | Type No. | Tube O.D.<br>mm | Ø F1 | Ø G | A<br>mm | M<br>mm | CH<br>mm | PN<br>bar |
|----------|----------|-----------------|------|-----|---------|---------|----------|-----------|
| 159348   | SR10SLST | 10              | 14x1 | 10  | 12.5    | 7.0     | 17       | 100       |
| 159349   | SR12SLST | 12              | 16x1 | 12  | 13.0    | 7.5     | 19       | 100       |



SR28LST

### Ferrule, light type

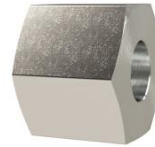
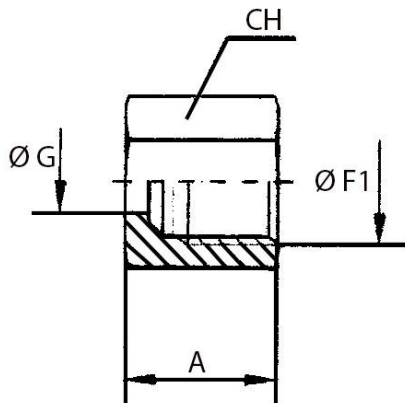
| Art. No. | Type No. | Tube O.D.<br>mm | Ø F1 | Ø G | A<br>mm | M<br>mm | CH<br>mm | PN<br>bar |
|----------|----------|-----------------|------|-----|---------|---------|----------|-----------|
| 159350   | SR28LST  | 28              | 36x2 | 28  | 21      | 11      | 41       | 160       |



SR10SST

### Ferrule, heavy type

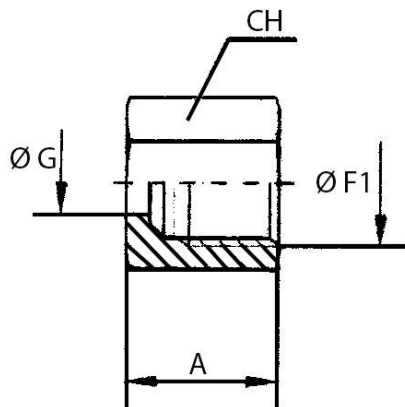
| Art. No. | Type No. | Tube O.D.<br>mm | Ø F1   | Ø G | A<br>mm | M<br>mm | CH<br>mm | PN<br>bar |
|----------|----------|-----------------|--------|-----|---------|---------|----------|-----------|
| 159351   | SR6SST   | 6               | 14x1.5 | 6   | 16.5    | 9.5     | 17       | 630       |
| 159352   | SR8SST   | 8               | 16x1.5 | 8   | 16.5    | 9.5     | 19       | 630       |
| 159353   | SR10SST  | 10              | 18x1.5 | 10  | 17.5    | 10.0    | 22       | 630       |
| 159354   | SR12SST  | 12              | 20x1.5 | 12  | 17.5    | 10.0    | 24       | 630       |
| 159355   | SR14SST  | 14              | 22x1.5 | 14  | 20.5    | 10.0    | 27       | 630       |
| 159356   | SR16SST  | 16              | 24x1.5 | 16  | 20.5    | 10.5    | 30       | 400       |
| 159357   | SR20SST  | 20              | 30x2.0 | 20  | 24.0    | 13.0    | 36       | 400       |
| 159358   | SR25SST  | 25              | 36x2.0 | 25  | 27.0    | 13.0    | 46       | 400       |



UE10SLST

### Swivel nut, very light type

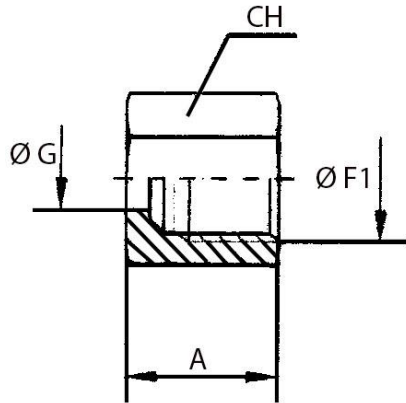
| Art. No. | Type No. | Tube O.D.<br>mm | Thread<br>Ø F1 | Ø G | A<br>mm | M<br>mm | CH<br>mm | PN<br>bar |
|----------|----------|-----------------|----------------|-----|---------|---------|----------|-----------|
| 159359   | UE10SLST | 10              | M14x1          | 10  | 12.5    | 7.0     | 17       | 100       |
| 159360   | UE12SLST | 12              | M16x1          | 12  | 13.0    | 7.5     | 19       | 100       |



UE28LST

### Swivel nut, light type

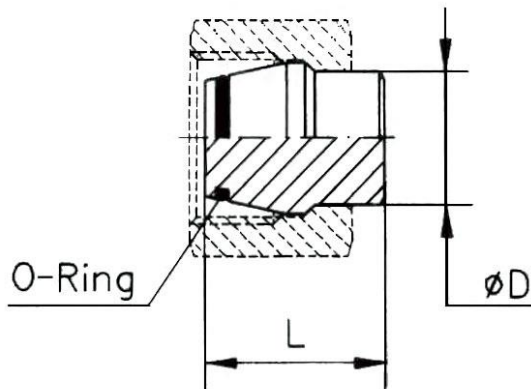
| Art. No. | Type No. | Tube O.D.<br>mm | Thread<br>Ø F1 | Ø G | A<br>mm | M<br>mm | CH<br>mm | PN<br>bar |
|----------|----------|-----------------|----------------|-----|---------|---------|----------|-----------|
| 159361   | UE28LST  | 28              | M36x2          | 28  | 21      | 11      | 41       | 160       |



UE6SST

**Swivel nut, heavy type**

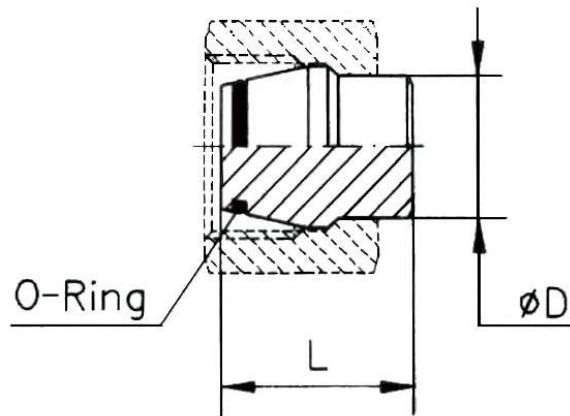
| Art. No. | Type No. | Tube O.D.<br>mm | Thread<br>Ø F1 | Ø G | A<br>mm | M<br>mm | CH<br>mm | PN<br>bar |
|----------|----------|-----------------|----------------|-----|---------|---------|----------|-----------|
| 159362   | UE6SST   | 6               | M14x1.5        | 6   | 16.5    | 9.5     | 17       | 630       |
| 159363   | UE8SST   | 8               | M16x1.5        | 8   | 16.5    | 9.5     | 19       | 630       |
| 159363   | UE10SST  | 10              | M18x1.5        | 10  | 17.5    | 10.0    | 22       | 630       |
| 159365   | UE12SST  | 12              | M20x1.5        | 12  | 17.5    | 10.0    | 24       | 630       |
| 159366   | UE14SST  | 14              | M22x1.5        | 14  | 20.5    | 10.0    | 27       | 630       |
| 159367   | UE16SST  | 16              | M24x1.5        | 16  | 20.5    | 10.5    | 30       | 400       |
| 159368   | UE20SST  | 20              | M30x2.0        | 20  | 24.0    | 13.0    | 36       | 400       |
| 159369   | UE25SST  | 25              | M36x2.0        | 25  | 27.0    | 13.0    | 46       | 400       |



VST6LST

### Plug, light type

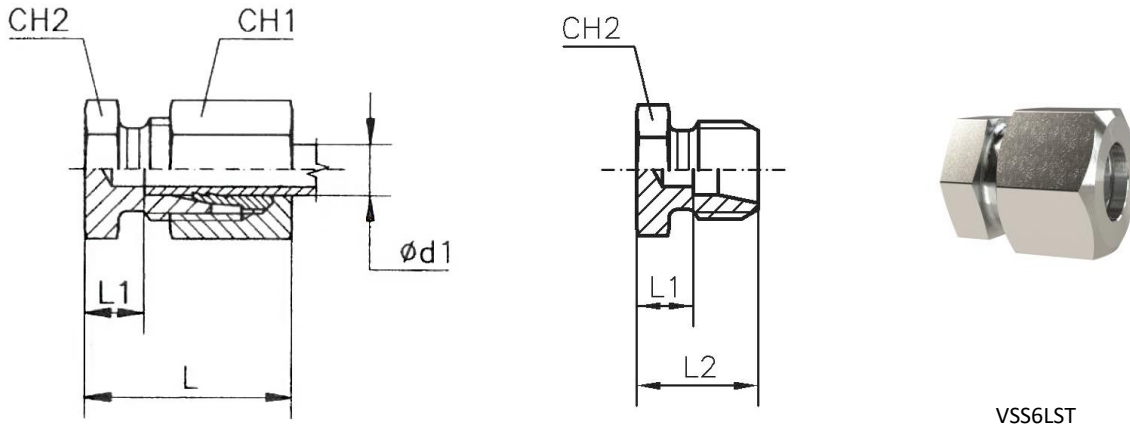
| Art. No.. | Type No. | Tube O.D.<br>mm | L<br>mm | O-ring   | PN<br>bar |
|-----------|----------|-----------------|---------|----------|-----------|
| 159370    | VST6LST  | 6               | 18.5    | 4.0x1.5  | 315       |
| 159371    | VST8LST  | 8               | 18.5    | 6.0x1.5  | 315       |
| 159372    | VST10LST | 10              | 20.0    | 7.5x1.5  | 315       |
| 159373    | VST12LST | 12              | 20.5    | 9.0x1.5  | 315       |
| 159374    | VST15LST | 15              | 20.5    | 12.0x2.0 | 315       |
| 159375    | VST18LST | 18              | 22.5    | 15.0x2.0 | 315       |
| 159376    | VST22LST | 22              | 25.0    | 20.0x2.0 | 160       |
| 159377    | VST28LST | 28              | 25.5    | 26.0x2.0 | 160       |



VST6SST

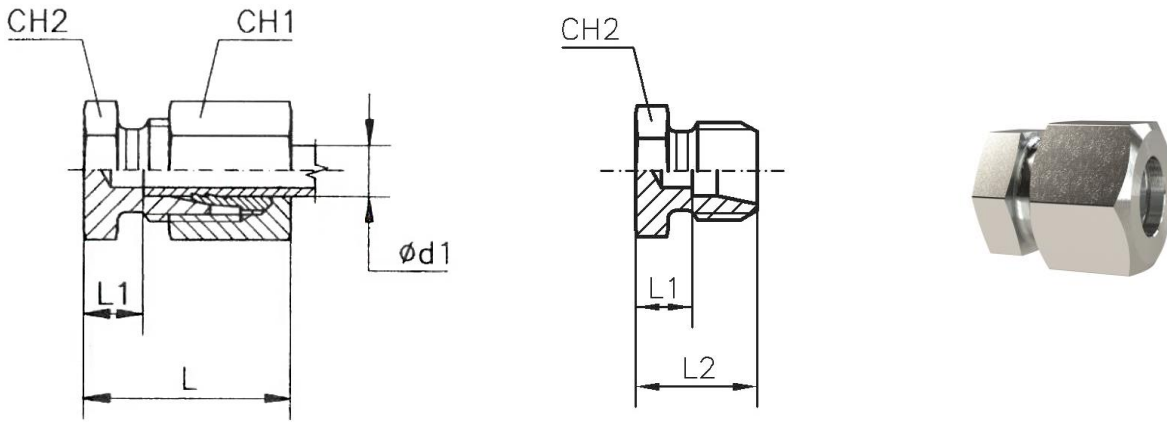
**Plug, heavy type**

| Art. No. | Type No. | Tube O.D.<br>mm | L<br>mm | O-ring   | PN<br>bar |
|----------|----------|-----------------|---------|----------|-----------|
| 159378   | VST6SST  | 6               | 18.5    | 4.0x1.5  | 630       |
| 159379   | VST8SST  | 8               | 18.5    | 6.0x1.5  | 630       |
| 159380   | VST10SST | 10              | 20.0    | 7.5x1.5  | 630       |
| 159381   | VST12SST | 12              | 20.5    | 9.0x1.5  | 630       |
| 159382   | VST14SST | 14              | 22.5    | 10.0x2.0 | 630       |
| 159383   | VST16SST | 16              | 23.5    | 12.0x2.0 | 400       |
| 159384   | VST20SST | 20              | 28.5    | 16.3x2.4 | 400       |
| 159385   | VST25SST | 25              | 29.0    | 20.3x2.4 | 400       |



### Screw plug, light type

| Art. No. | Type No. | Tube O.D.<br>mm | L<br>mm | L1<br>mm | L2<br>mm | CH1<br>mm | CH2<br>mm | PN<br>bar |
|----------|----------|-----------------|---------|----------|----------|-----------|-----------|-----------|
| 159386   | VSS6LST  | 6               | 22      | 7.0      | 14       | 14        | 12        | 315       |
| 159387   | VSS8LST  | 8               | 23      | 8.0      | 15       | 17        | 14        | 315       |
| 159388   | VSS10LST | 10              | 24      | 9.0      | 16       | 19        | 17        | 315       |
| 159389   | VSS12LST | 12              | 25      | 10.0     | 17       | 22        | 19        | 315       |
| 159390   | VSS15LST | 15              | 26      | 11.0     | 18       | 27        | 24        | 315       |
| 159391   | VSS18LST | 18              | 28      | 11.5     | 19       | 32        | 27        | 315       |
| 159392   | VSS22LST | 22              | 30      | 13.5     | 21       | 36        | 32        | 160       |
| 159393   | VSS28LST | 28              | 31      | 14.5     | 22       | 41        | 41        | 160       |



VSS6SST

| Screw plug, heavy type |          |                 |         |          |          |           |           |           |
|------------------------|----------|-----------------|---------|----------|----------|-----------|-----------|-----------|
| Art. No.               | Type No. | Tube O.D.<br>mm | L<br>mm | L1<br>mm | L2<br>mm | CH1<br>mm | CH2<br>mm | PN<br>bar |
| 159394                 | VSS6SST  | 6               | 26      | 11.0     | 18       | 17        | 14        | 360       |
| 159395                 | VSS8SST  | 8               | 28      | 13.0     | 20       | 19        | 17        | 360       |
| 159396                 | VSS10SST | 10              | 29      | 12.5     | 20       | 22        | 19        | 360       |
| 159397                 | VSS12SST | 12              | 31      | 14.5     | 22       | 24        | 22        | 360       |
| 159398                 | VSS14SST | 14              | 34      | 16.0     | 24       | 27        | 24        | 360       |
| 159399                 | VSS16SST | 16              | 34      | 15.5     | 24       | 30        | 27        | 400       |
| 159400                 | VSS20SST | 20              | 39      | 17.5     | 28       | 36        | 32        | 400       |
| 159401                 | VSS25SST | 25              | 44      | 20.0     | 32       | 46        | 41        | 400       |